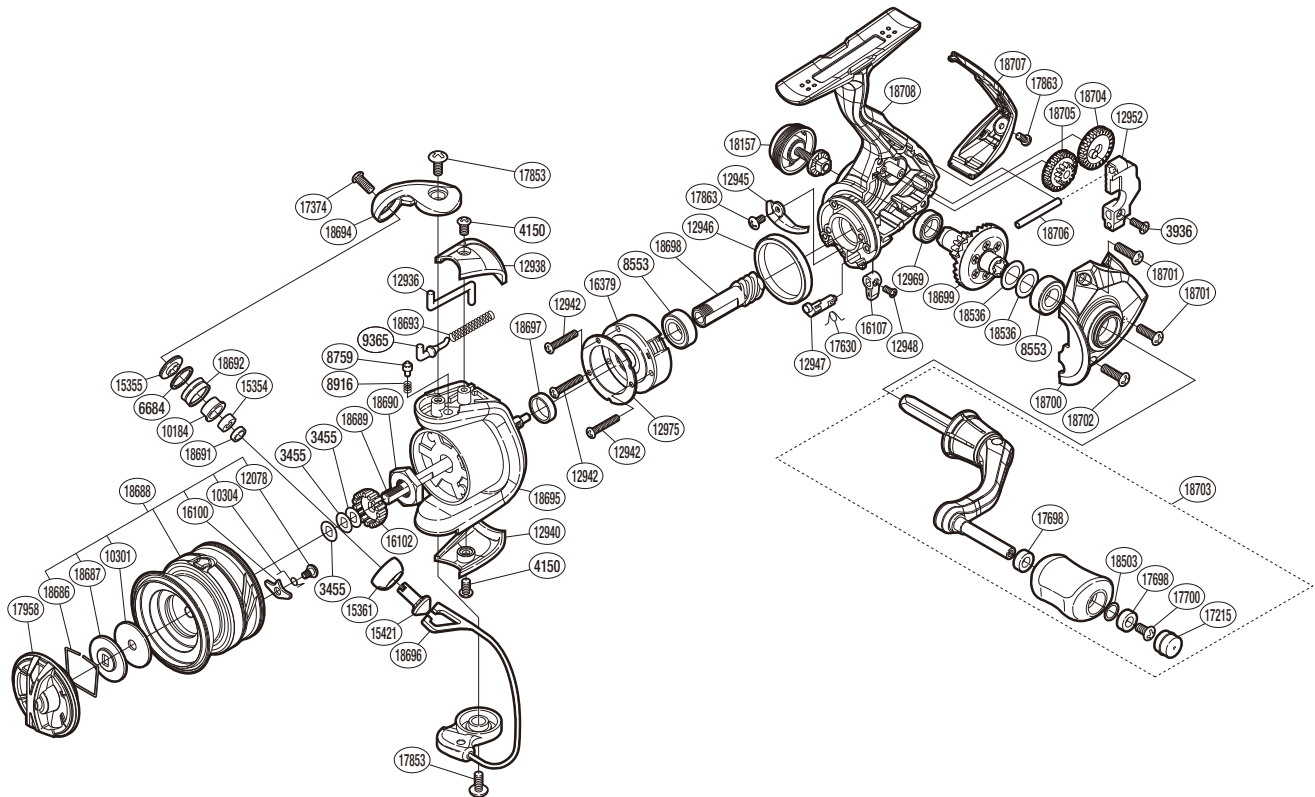


# SHIMANO

## NASCI

### NAS-500FB



Please note that the number of adjusting washers may not be the same as shown in the exploded views.  
 (51SD410500X) (Adjustment will vary with each individual product.)

Part No.	Description	Part No.	Description	Part No.	Description
RD 3455	Spool Washer	RD12975	Roller Clutch Reinforce	RD18688	Spool Assembly
RD 3936	Screw	RD15354	Line Roller Collar	RD18689	Main Shaft
RD 4150	Screw	RD15355	Line Roller Washer	RD18690	Rotor Nut
RD 6684	Line Roller Spacer	RD15361	Line Roller Support Cover	RD18691	Bearing Spacer
RD 8553	Ball Bearing	RD15421	Line Roller Support	RD18692	Line Roller
RD 8759	Click Pin	RD16100	Drag Click	RD18693	Bail Spring
RD 8916	Click Spring	RD16102	Spool Support	RD18694	Bail Arm
RD 9365	Bail Spring Guide	RD16107	Anti-reverse Lever	RD18695	Rotor
RD10184	Line Roller Bushing	RD16379	Roller Clutch Assembly	RD18696	Bail Assembly
RD10301	Drag Washer	RD17215	Handle Knob Seal	RD18697	Rotor Ring
RD10304	Drag Click Spring	RD17374	Screw	RD18698	Pinion Gear
RD12078	Screw	RD17630	Anti-Reverse Cam Spring	RD18699	Drive Gear Assembly
RD12936	Bail Trip Lever	RD17698	Handle Knob Bushing	RD18700	Side Cover
RD12938	Bail Spring Cover	RD17700	Screw	RD18701	Screw
RD12940	Bail Hold Support Guard	RD17853	Screw	RD18702	Screw
RD12942	Screw	RD17863	Screw	RD18703	Handle Assembly
RD12945	Bail Trip Strike	RD17958	Drag Knob	RD18704	Oscillating Gear
RD12946	Friction Ring	RD18157	Handle Screw Cap Assembly	RD18705	Ide Gear
RD12947	Anti-reverse Cam	RD18503	Washer	RD18706	Oscillating Guide
RD12948	Screw	RD18536	Washer	RD18707	Rear Protector
RD12952	Oscillating Slider	RD18686	Drag Washer Retainer	RD18708	Body Assembly
RD12969	Ball Bearing	RD18687	Key Washer		